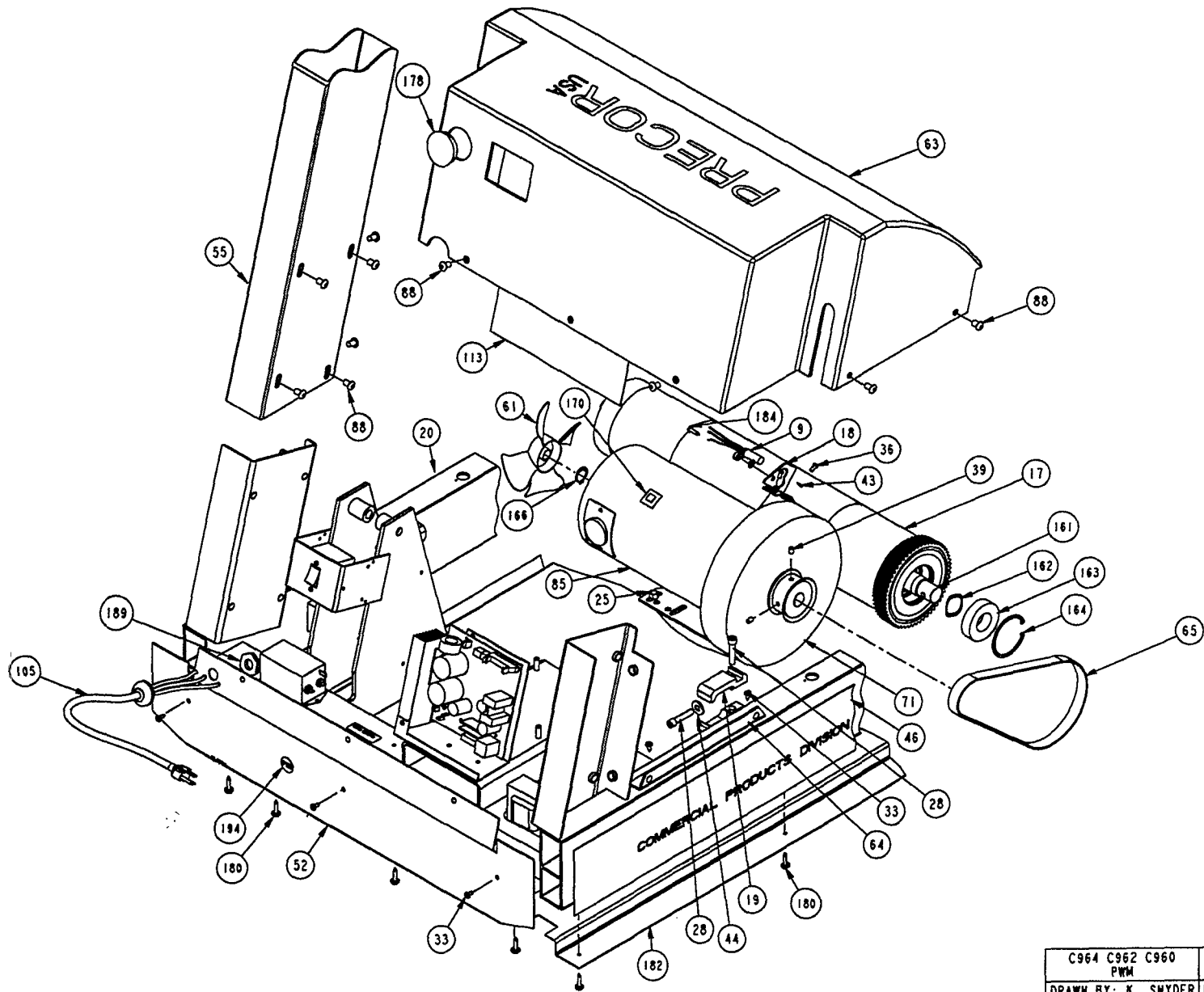
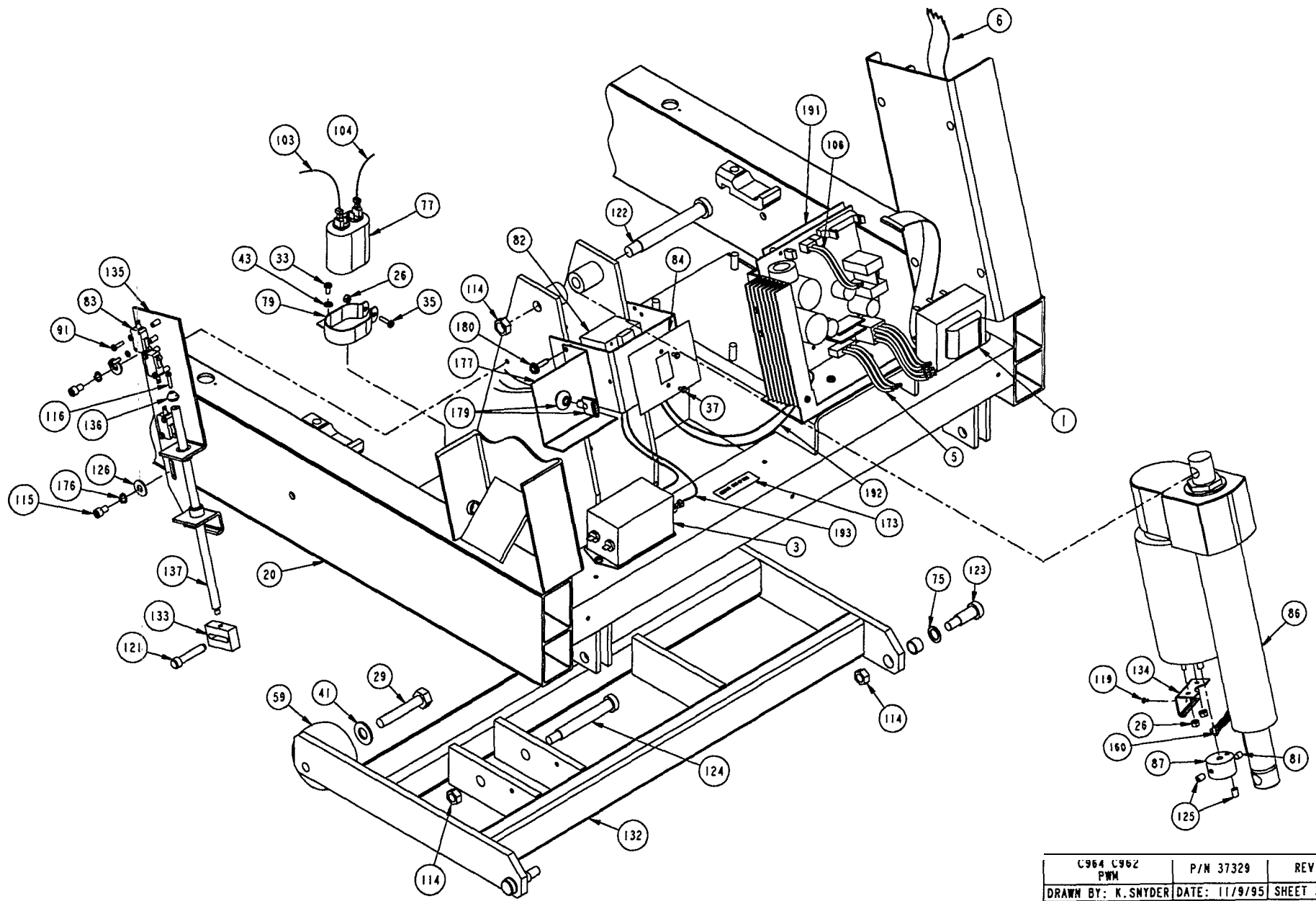


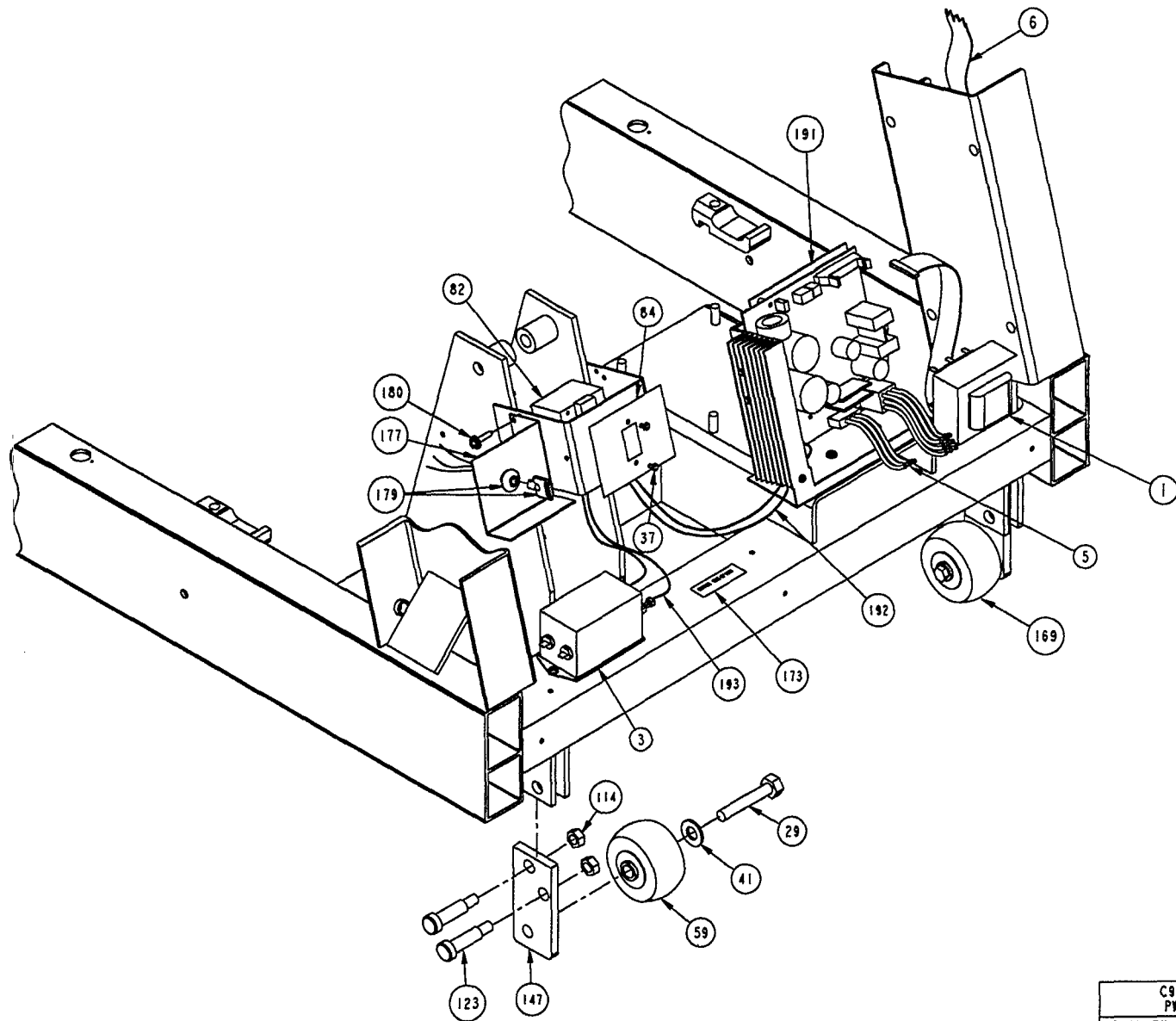
C964 C962 C960 PWN	P/N 37329	REV: A
DRAWN BY: K. SNYDER	DATE: 11/6/95	SHEET 1 OF 5



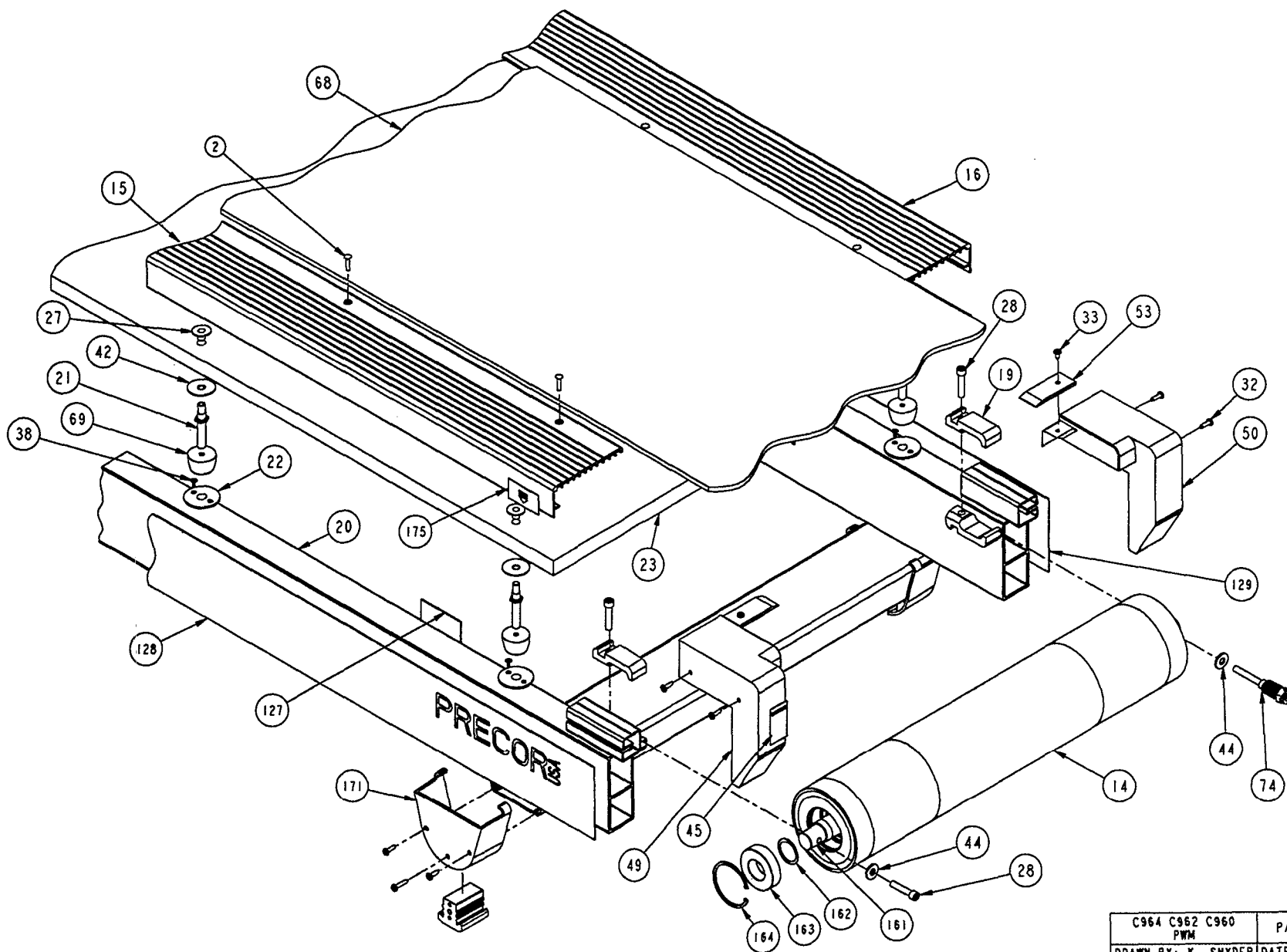
C964 C962 C960 P/W	P/N 37329	REV: A
DRAWN BY: K. SNYDER	DATE: 11/9/95	SHEET 2 OF 5



C964 C962	P/M 37329	REV: A
PWM		
DRAWN BY: K. SNYDER	DATE: 11/9/95	SHEET 3 OF 5



C960 P/M	P/M 37329	REV: A
DRAWN BY: K.SMYDER	DATE: 11/9/95	SHEET 4 OF 5



C964 C962 C960	P/W 37329	REV: A
PWM		
DRAWN BY: K. SNYDER	DATE: 11/9/95	SHEET 5 OF 5